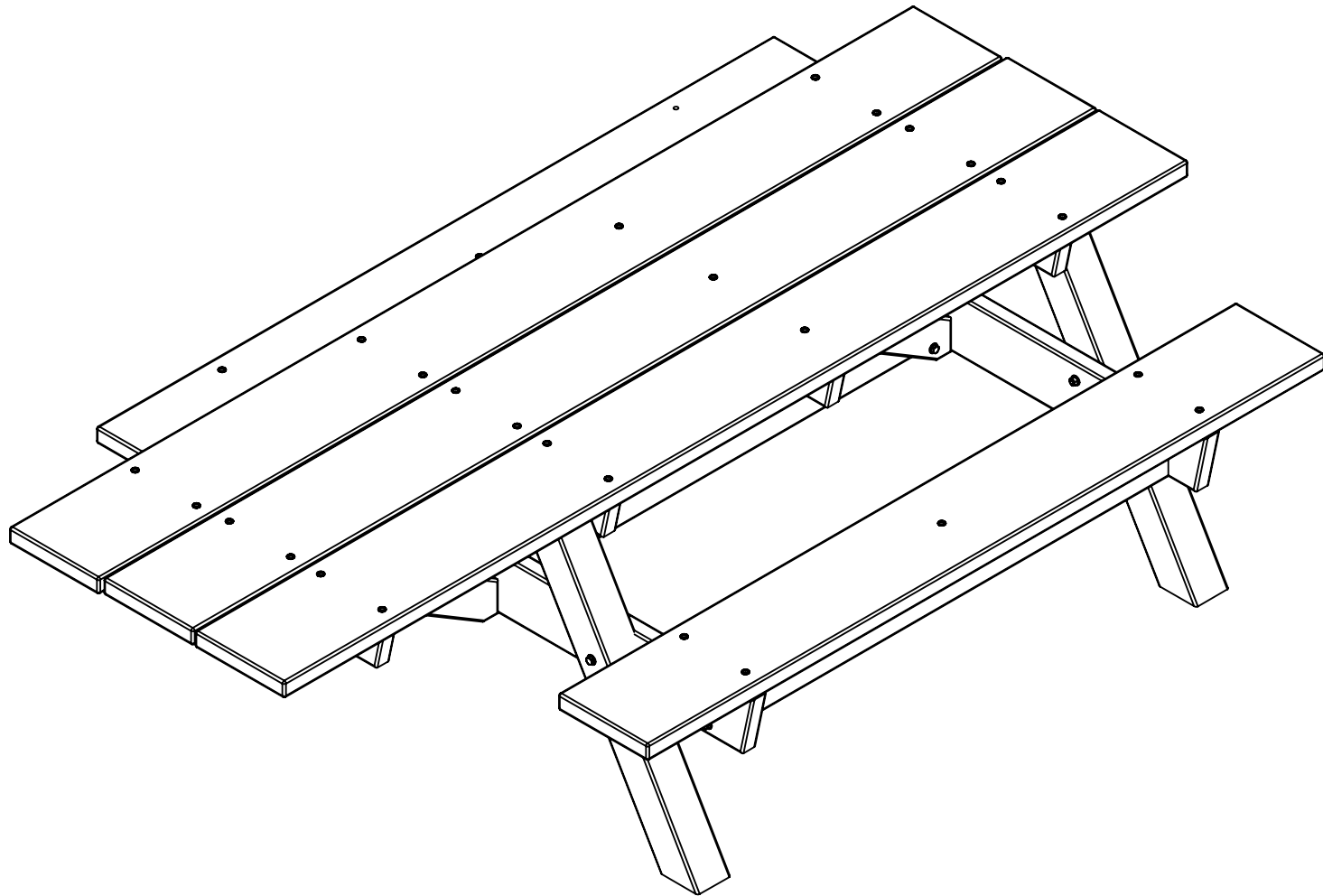
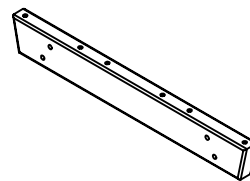


# ADA PICNIC TABLE INSTRUCTIONS TB-1110

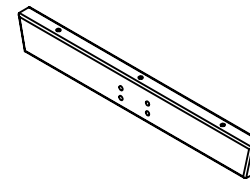
TB1110 REV# 2  
8/8/2018



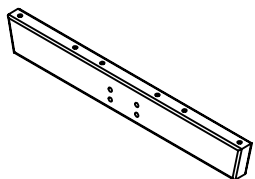
# ADA PICNIC TABLE INSTRUCTIONS TB-1110



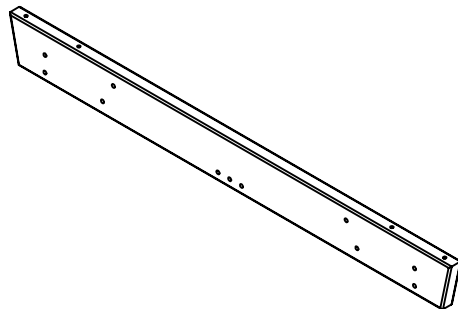
END SUPPORT  
X2  
ATB-P0008



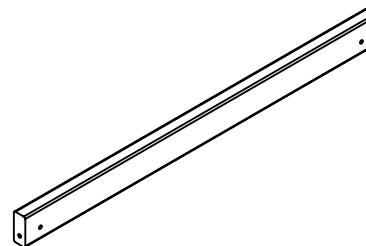
MIDDLE SUPPORT  
X1  
ATB-P0011



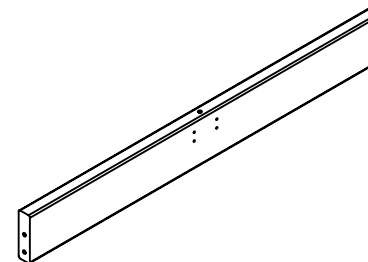
ADA END SUPPORT  
X1  
ATB-P0015



STRETCHER  
X2  
ATB-P0007



MIDDLE STRETCHER  
X1  
ATB-P0012



SEAT SUPPORT  
X2  
ATB-P0010

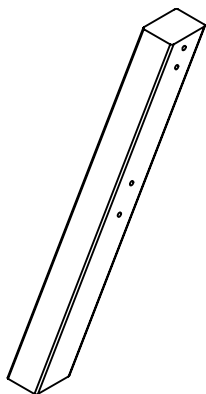
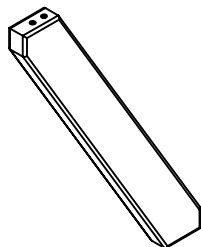
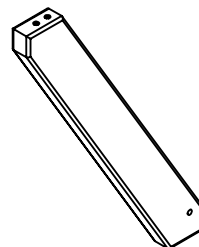


TABLE LEG  
X4  
ATB-P0006



ADA END ANGLE BRACE  
X1  
ATB-P0162



ANGLE BRACE  
X2  
ATB-P0009



WEDGE  
X4  
ATB-P0014

**COMPONENTS  
REQUIRED FOR  
ASSEMBLY**

**1/16**

# ADA PICNIC TABLE INSTRUCTIONS TB-1110

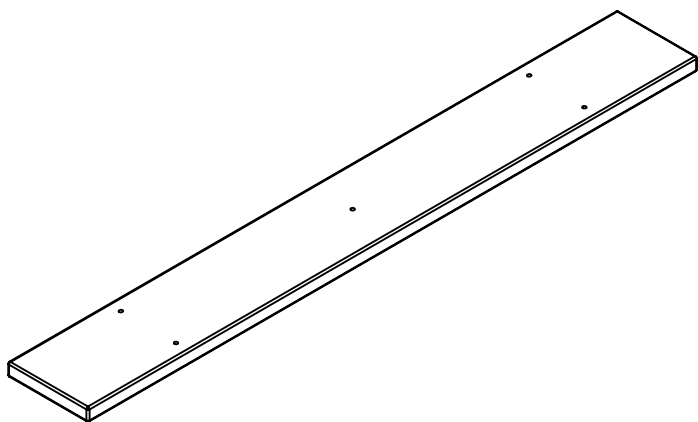


TABLE SEAT  
X2  
ATB-P0013

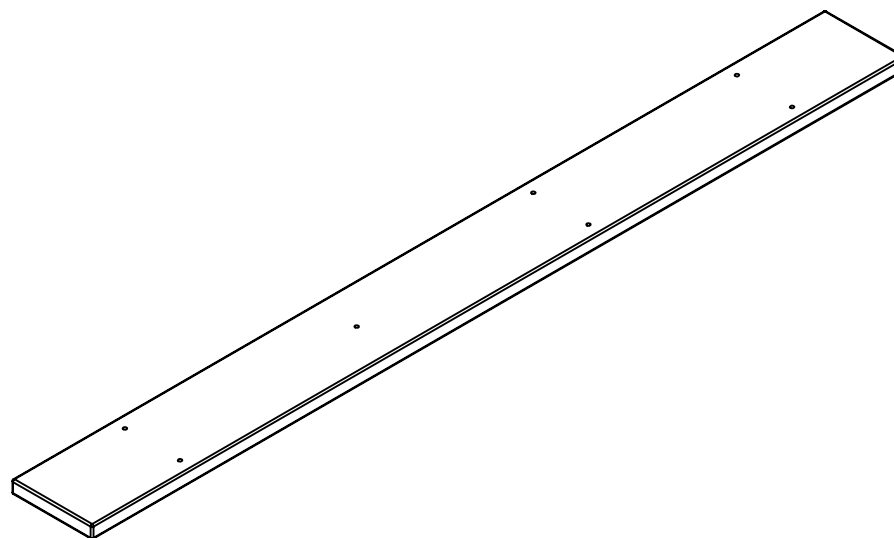
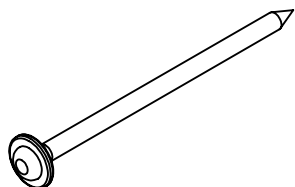
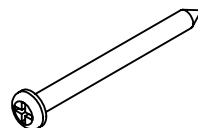


TABLE TOP  
X3  
ATB-P0005

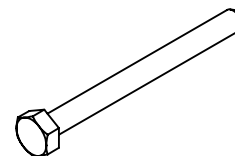
# ADA PICNIC TABLE INSTRUCTIONS TB-1110



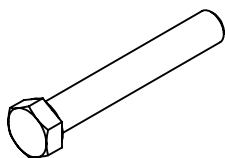
5/16" X 3"  
TIMBER SCREW  
X31  
F-0001



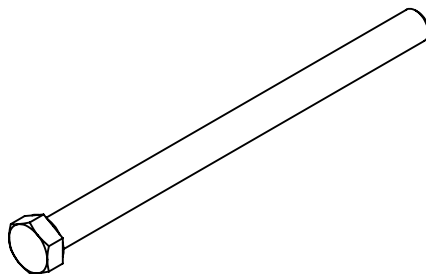
#12 X 2.5"  
SHEET METAL SCREW  
X8  
F-0002



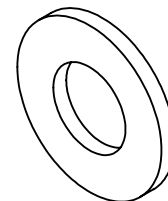
3/8" X 3"  
HEX HEAD LAG SCREW  
X19  
F-0003



3/8" X 3.5"  
HEX HEAD BOLT  
X2  
F-0004



3/8" X 5.5"  
HEX HEAD BOLT  
X16  
F-0005



3/8"  
FLAT WASHER  
X55  
F-0006



3/8"  
NYLON LOCKING NUT  
X18  
F-0007

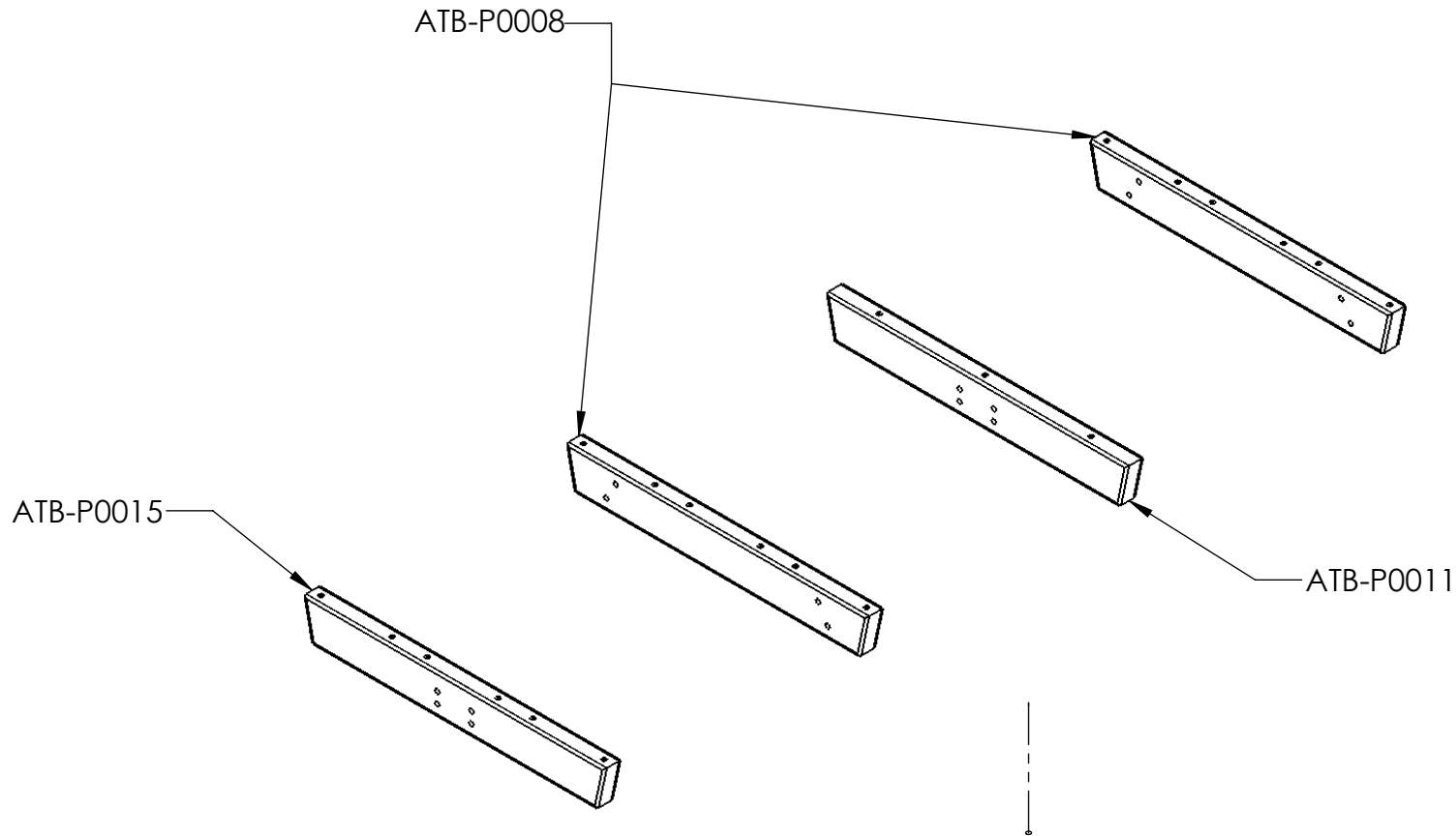
**REQUIRED TOOLS:**  
-POWER DRILL  
-9/16" SOCKET  
-9/16" WRENCH  
-RUBBER Mallet

**HARDWARE &  
TOOLS REQUIRED**

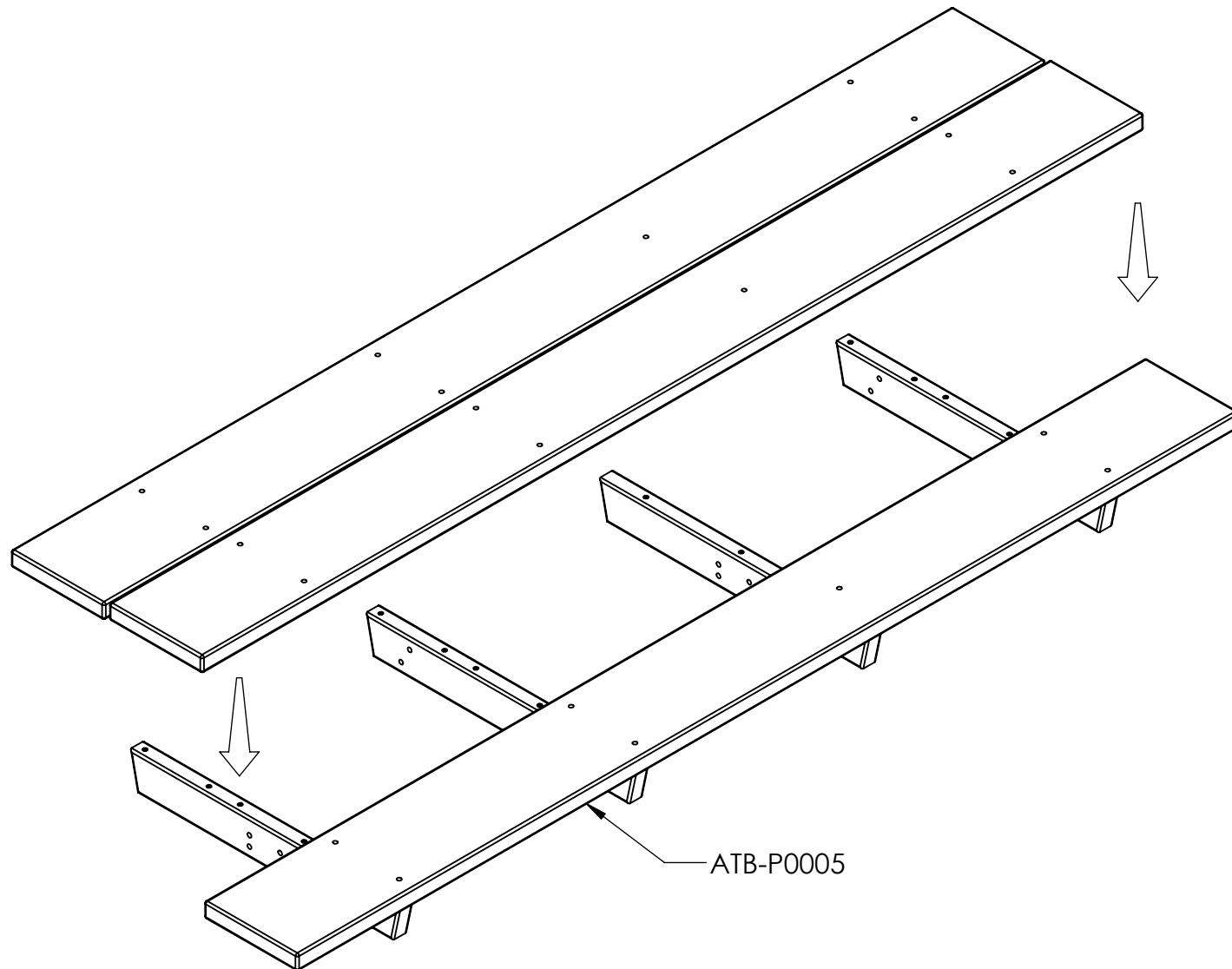
**3/16**

# ADA PICNIC TABLE INSTRUCTIONS TB-1110

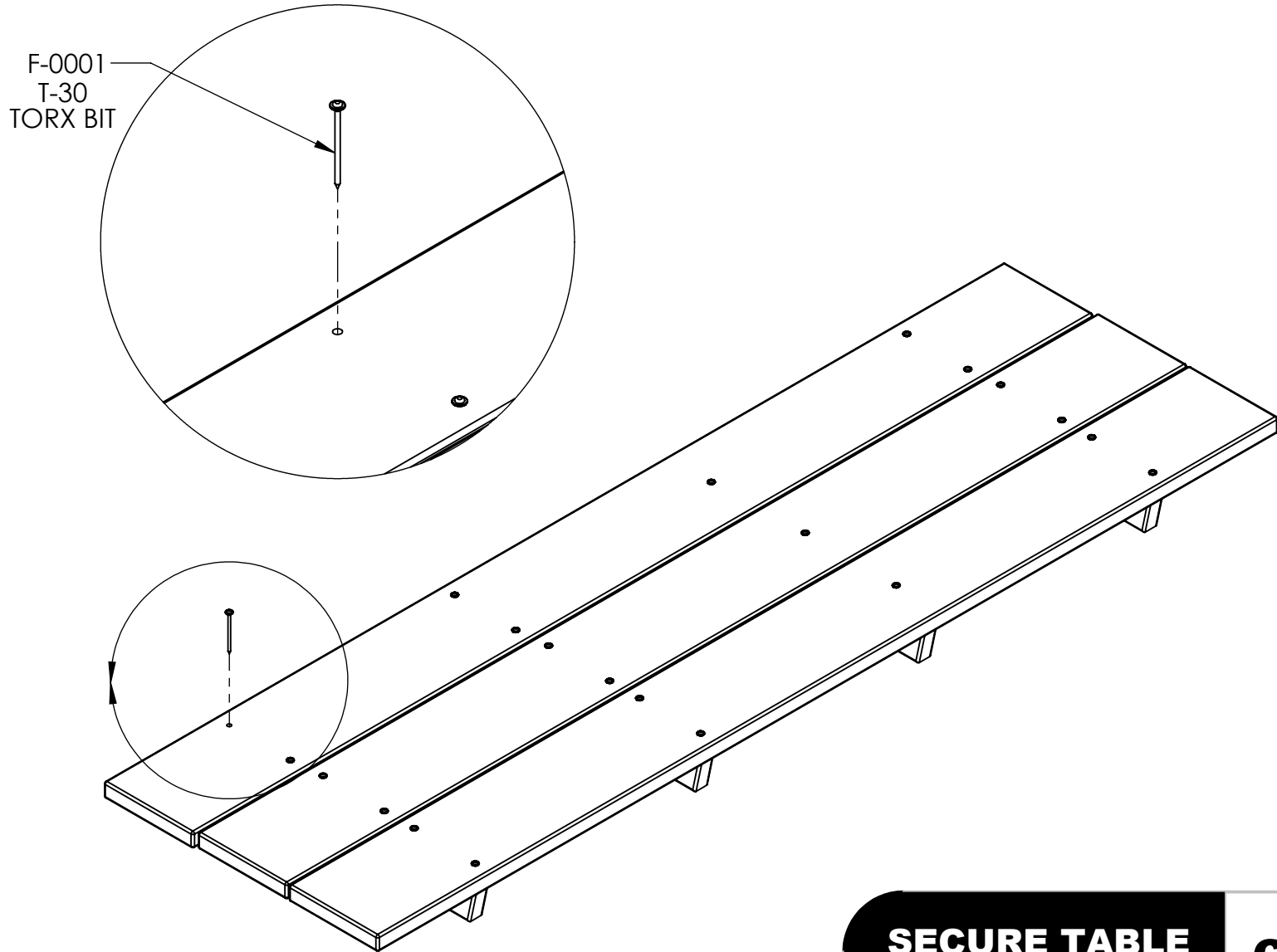
NOTE: SUPPORTS HAVE DIFFERENT HOLE PATTERNS.  
BE SURE TO PLACE PART IN CORRECT LOCATION.



# ADA PICNIC TABLE INSTRUCTIONS TB-1110



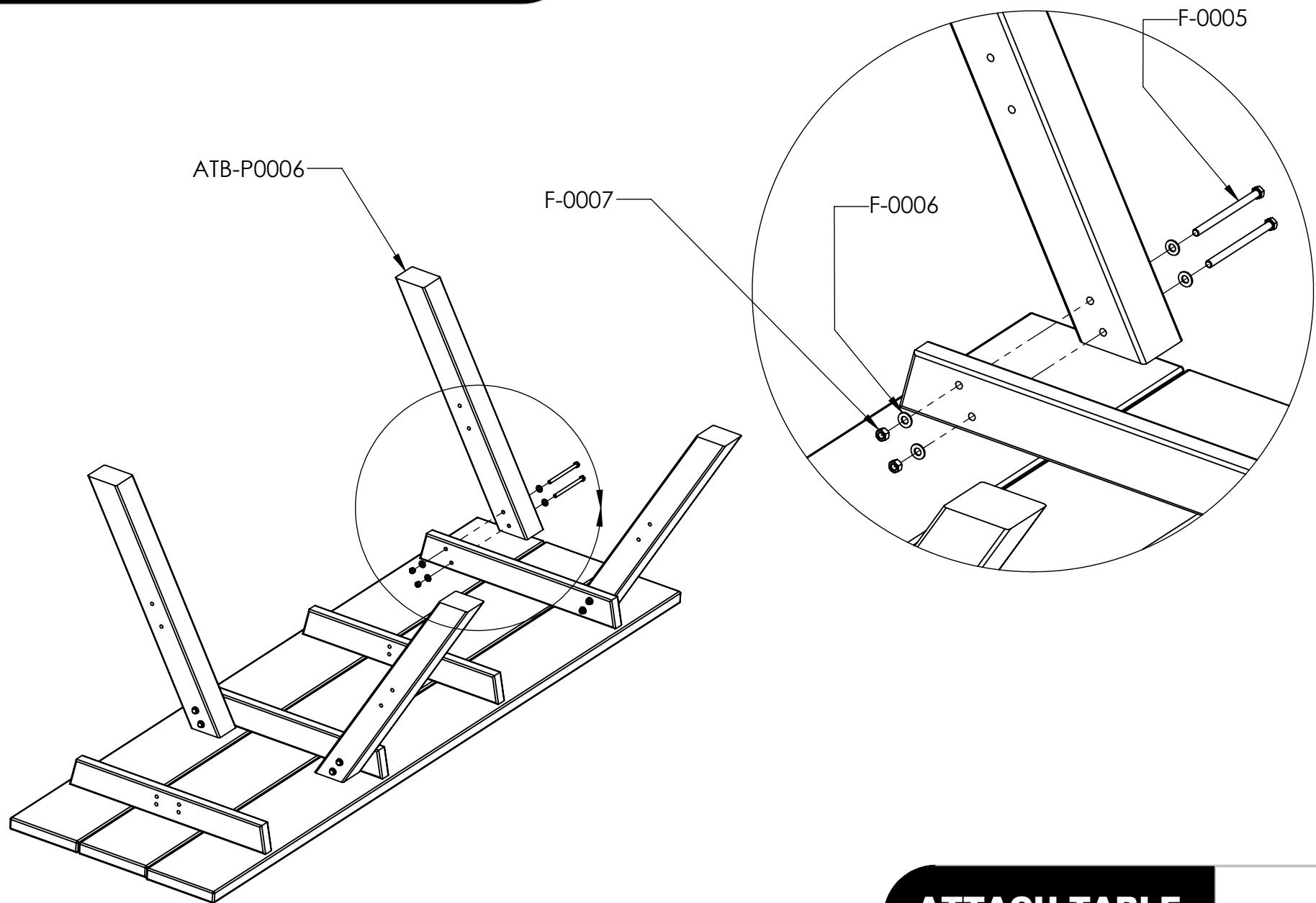
# ADA PICNIC TABLE INSTRUCTIONS TB-1110



**SECURE TABLE  
TOP BOARDS**

**6/16**

# ADA PICNIC TABLE INSTRUCTIONS TB-1110



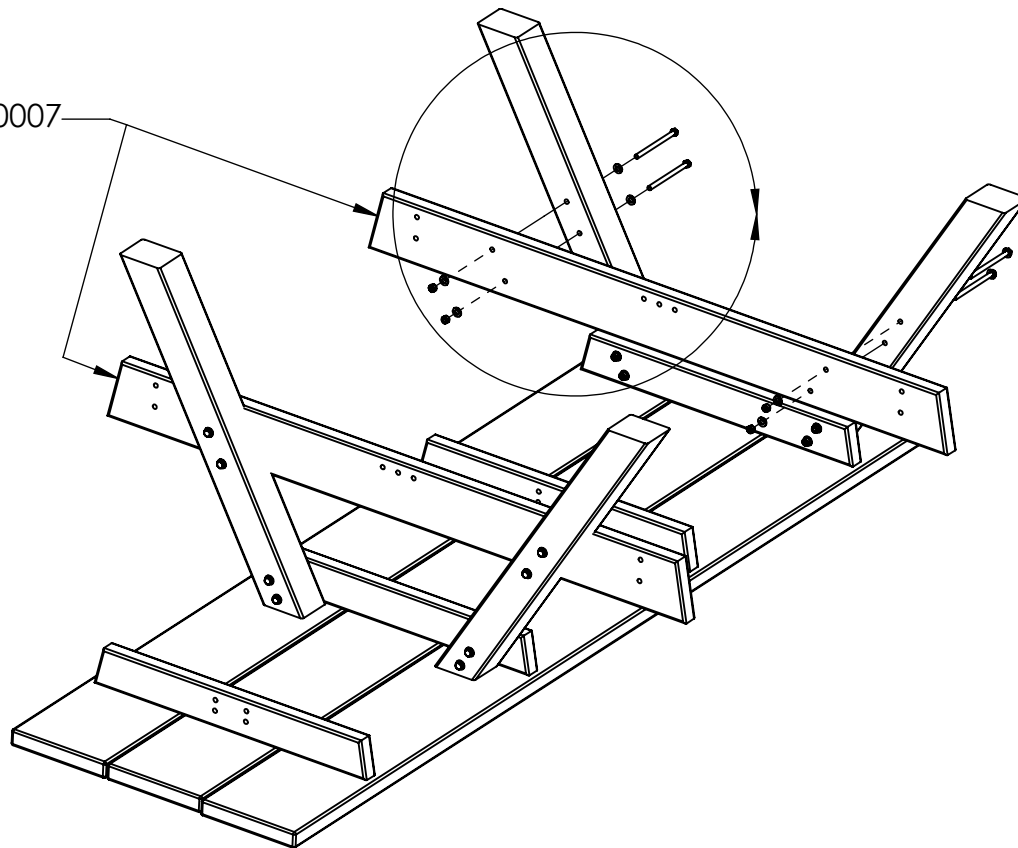
**ATTACH TABLE  
LEGS TO TOP**

**7/16**



# ADA PICNIC TABLE INSTRUCTIONS TB-1110

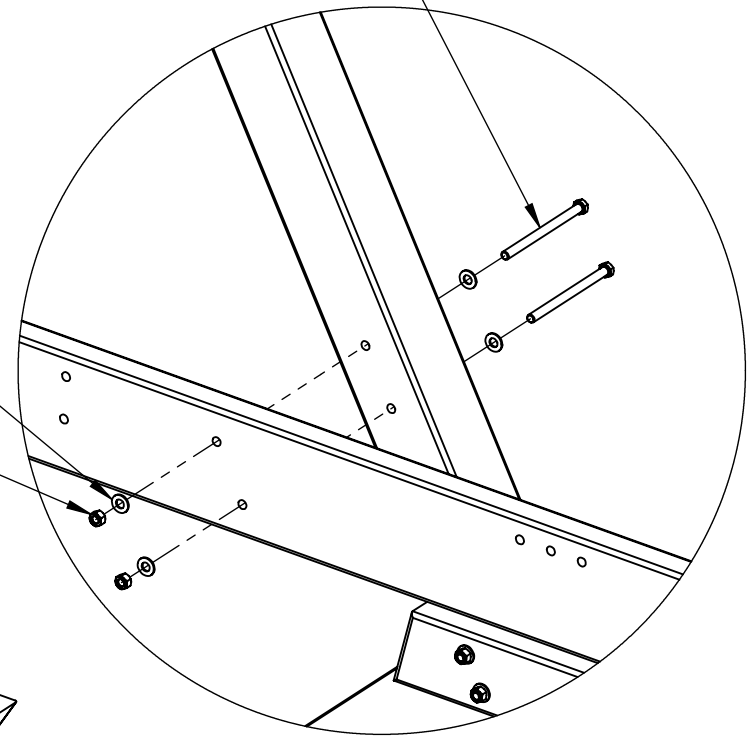
ATB-P0007



F-0006

F-0007

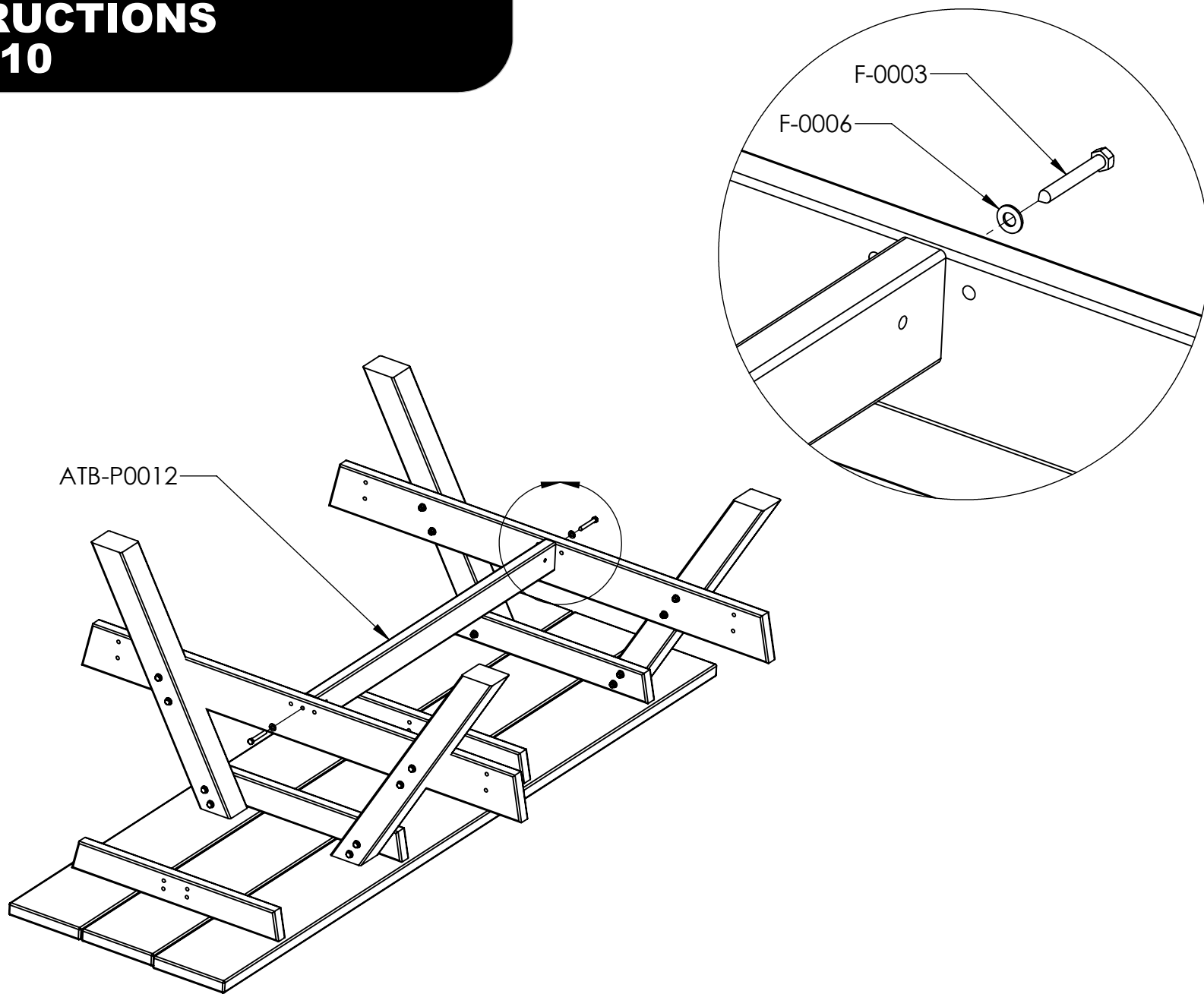
F-0005



**ATTACH  
STRETCHER TO  
LEGS**

**8/16**

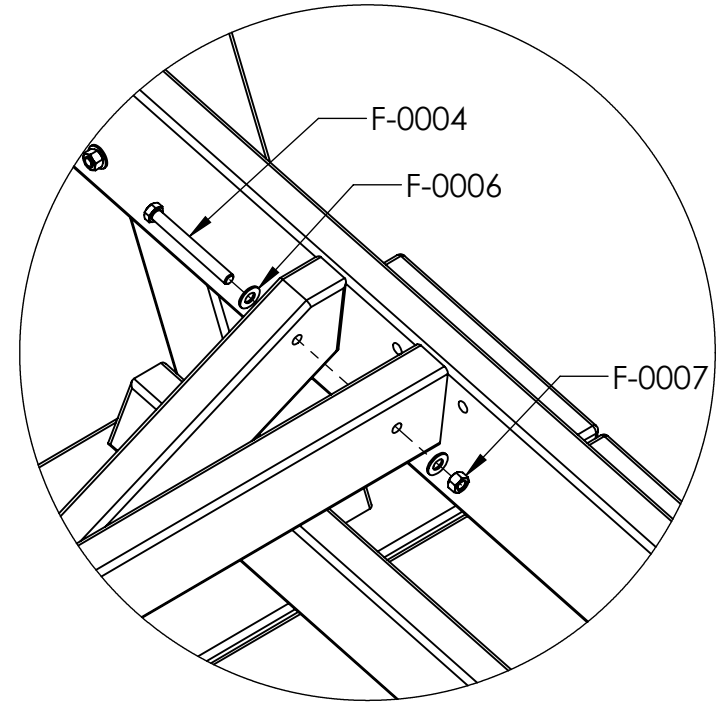
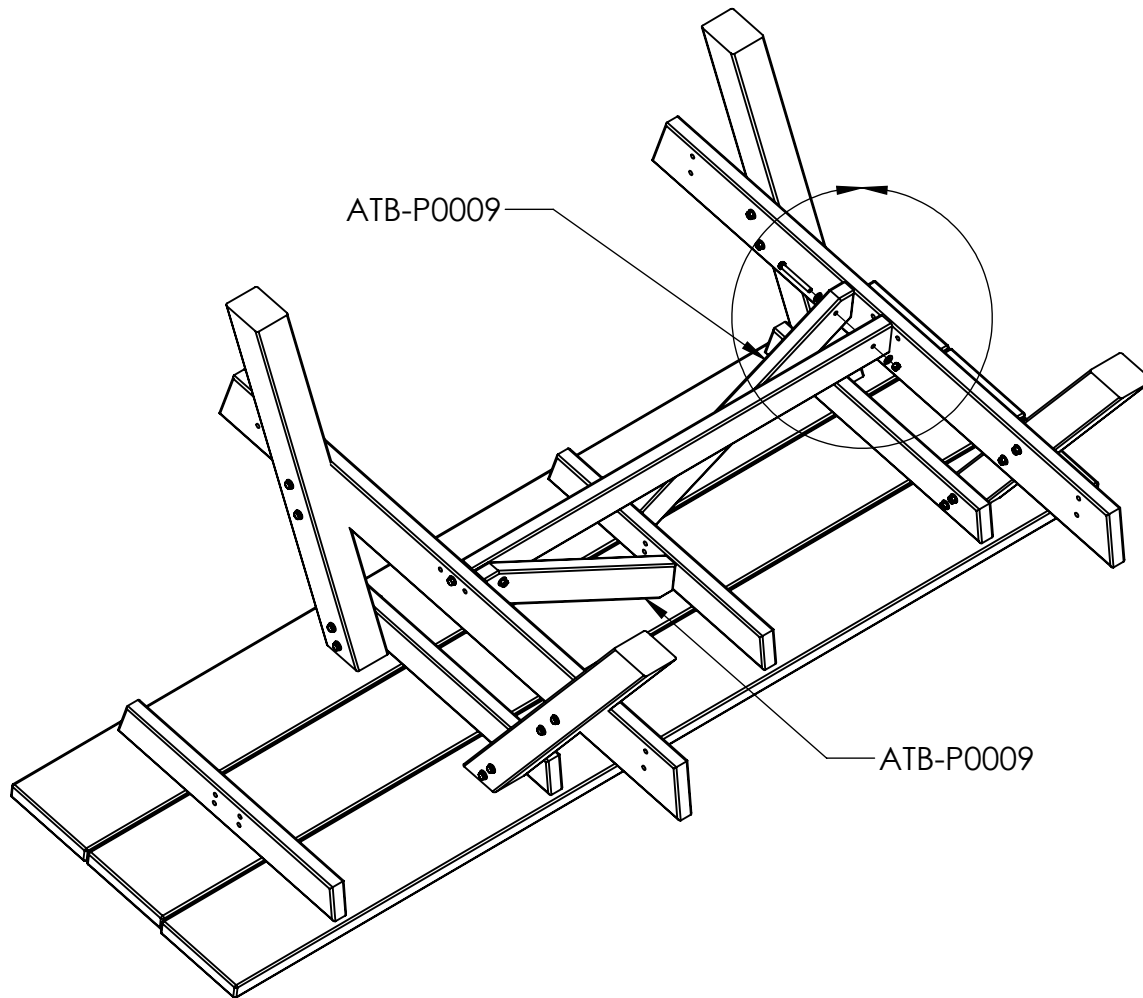
# ADA PICNIC TABLE INSTRUCTIONS TB-1110



**ATTACH MIDDLE  
STRETCHER**

**9/16**

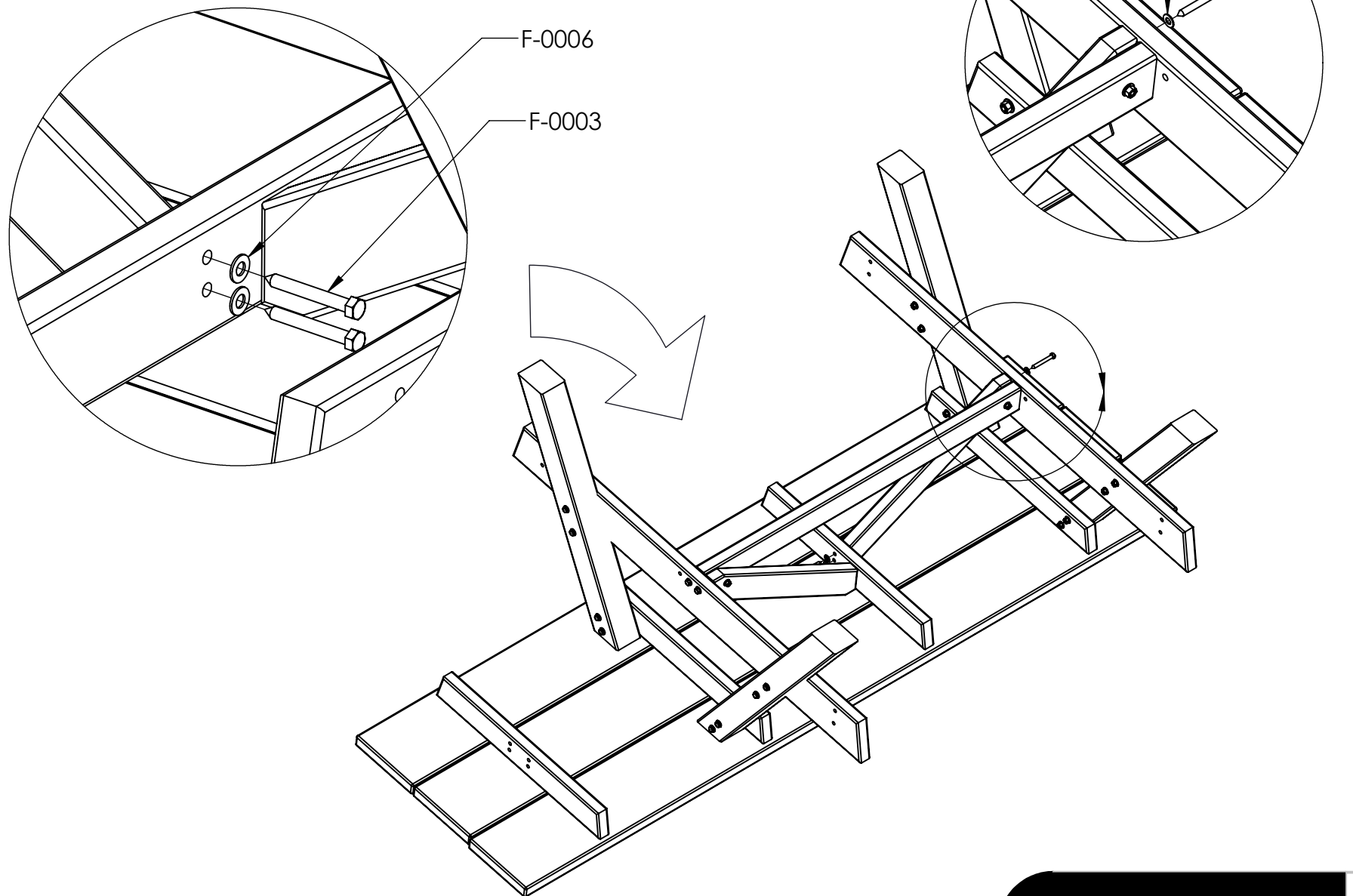
# ADA PICNIC TABLE INSTRUCTIONS TB-1110



**ATTACH ANGLE  
BRACE**

**10/16**

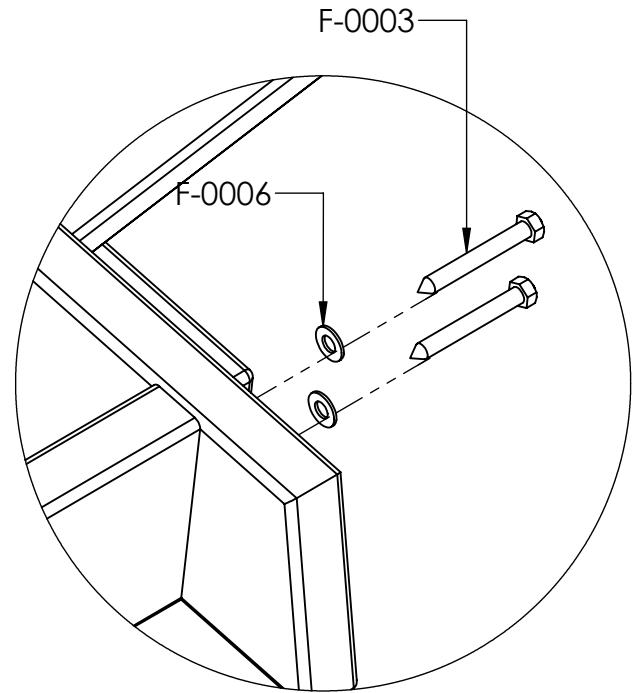
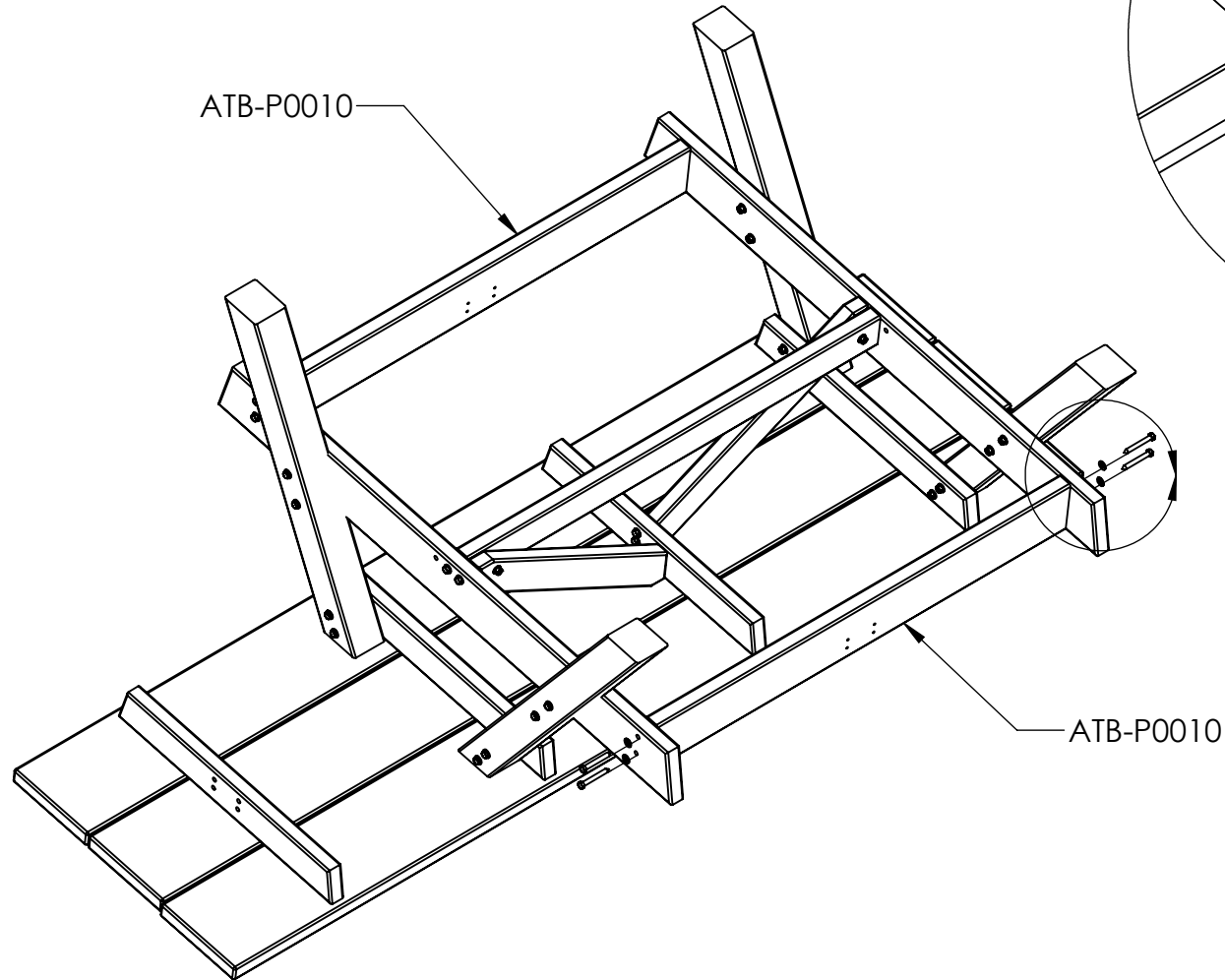
# ADA PICNIC TABLE INSTRUCTIONS TB-1110



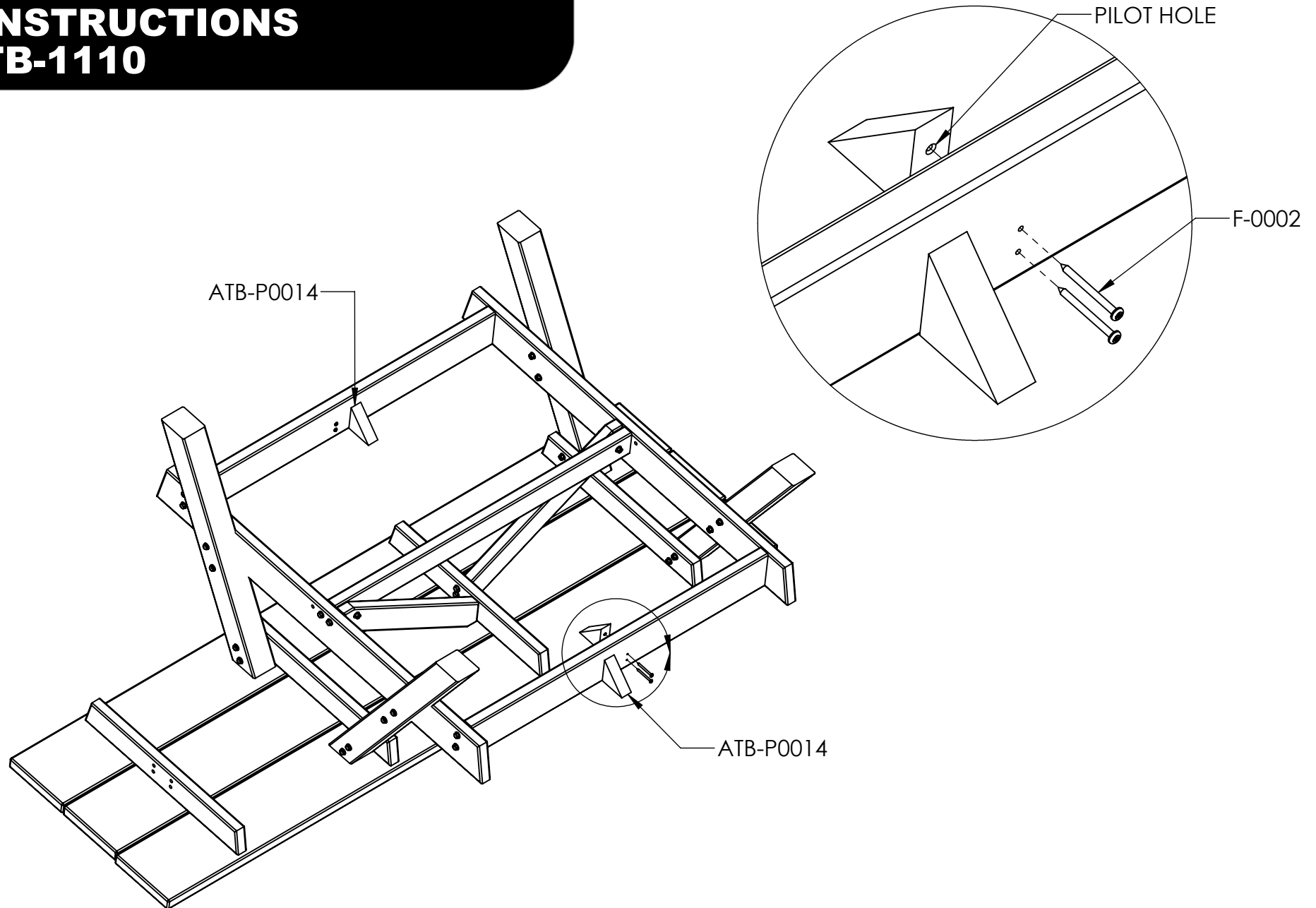
**SECURE ANGLE  
BRACE**

**11/16**

# ADA PICNIC TABLE INSTRUCTIONS TB-1110



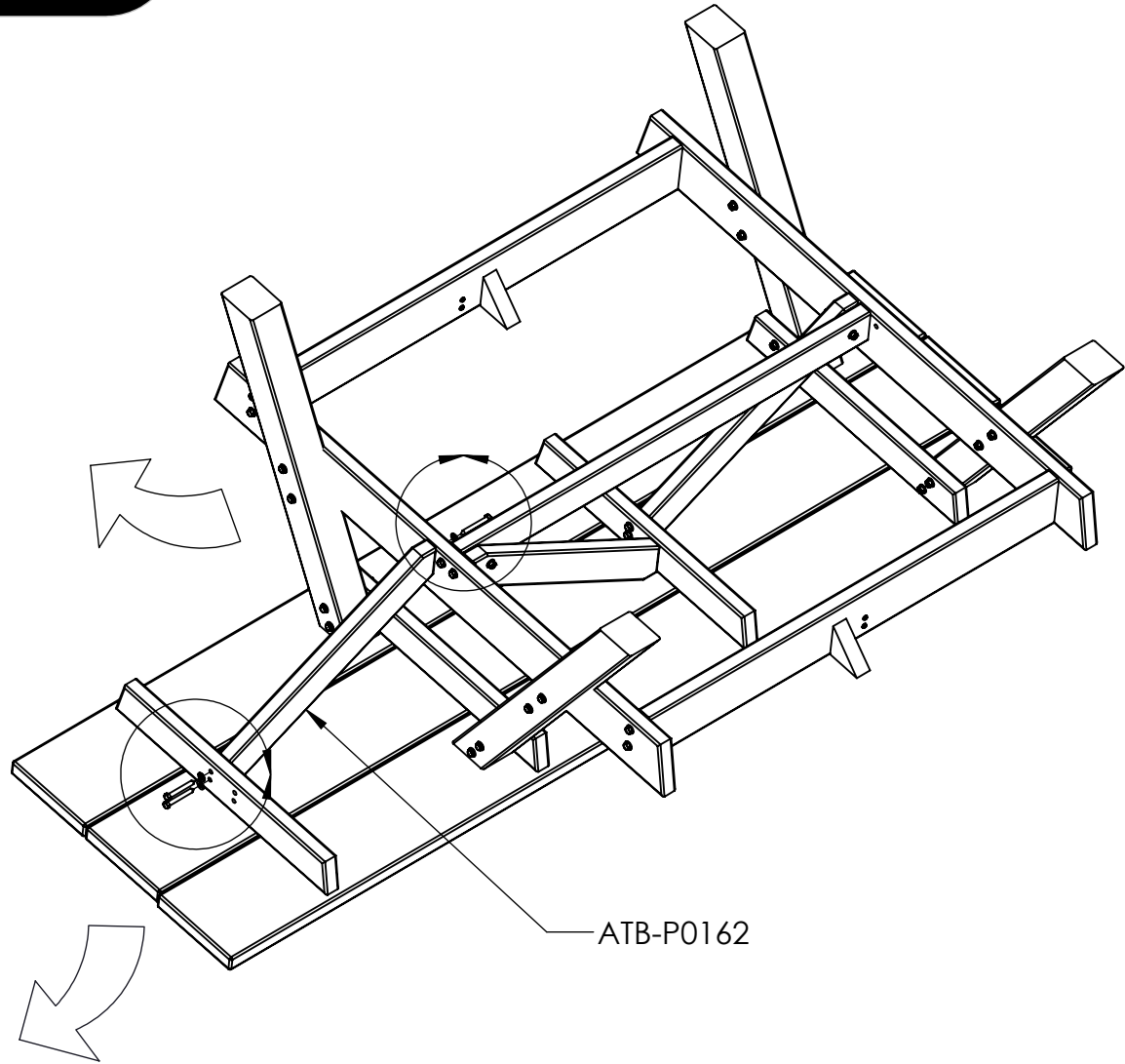
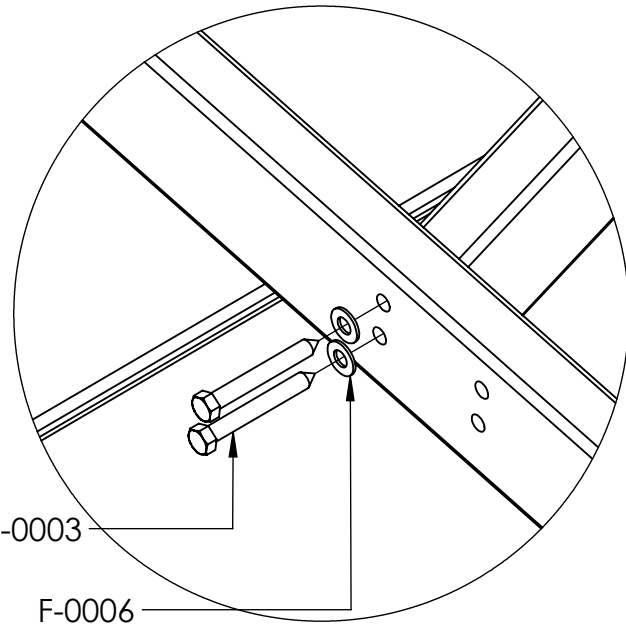
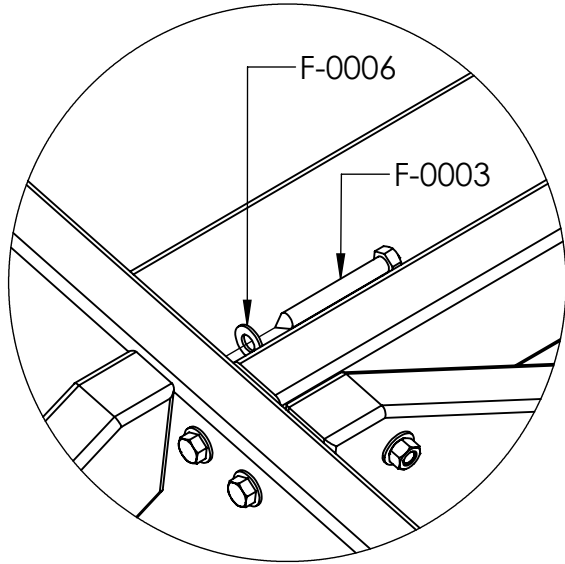
# ADA PICNIC TABLE INSTRUCTIONS TB-1110



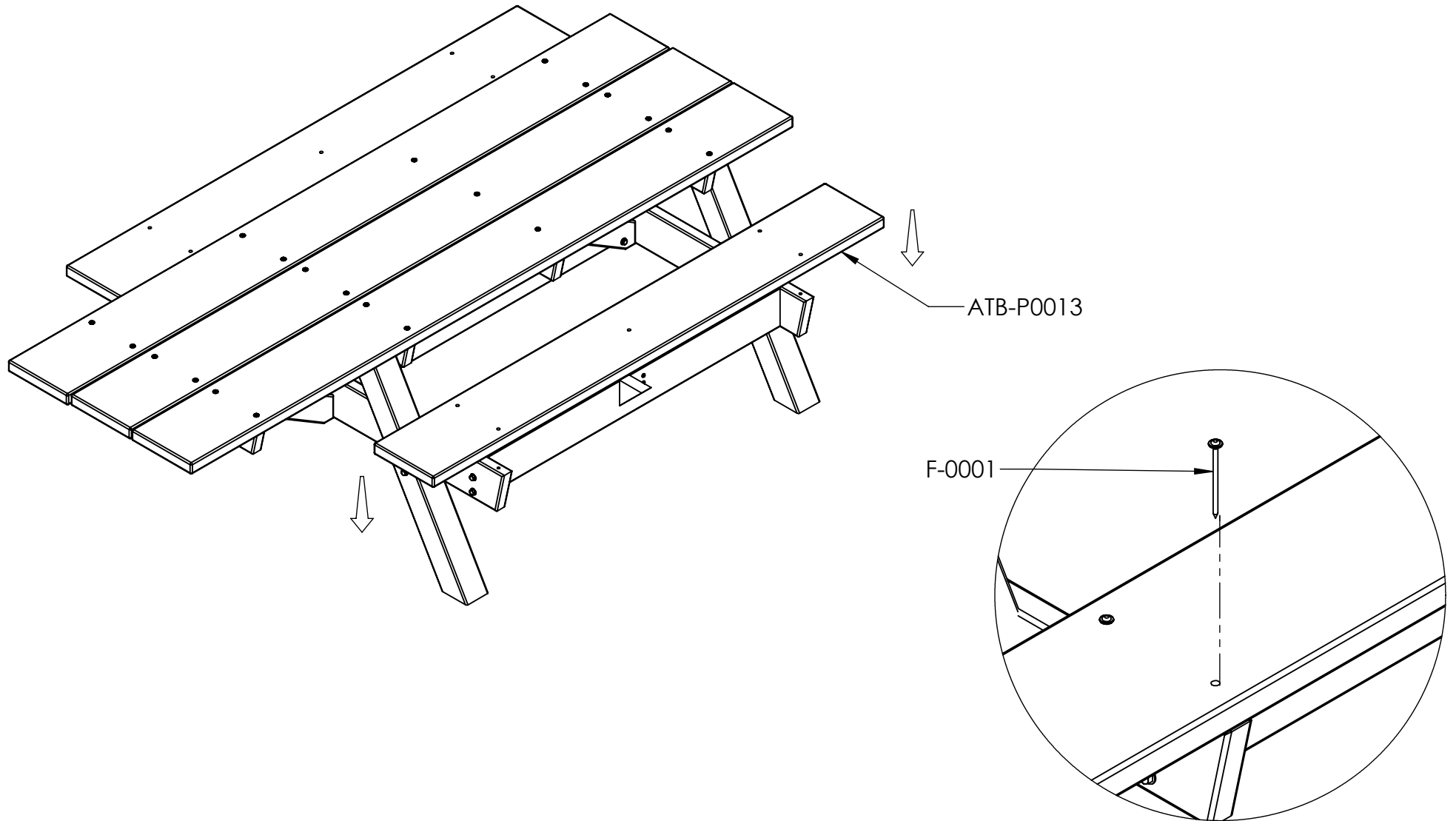
**ATTACH WEDGE TO  
SEAT SUPPORT**

**13/16**

# ADA PICNIC TABLE INSTRUCTIONS TB-1110



# ADA PICNIC TABLE INSTRUCTIONS TB-1110



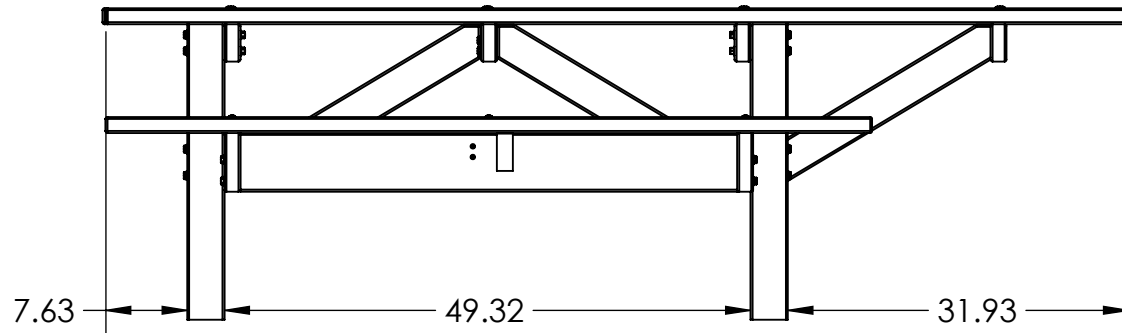
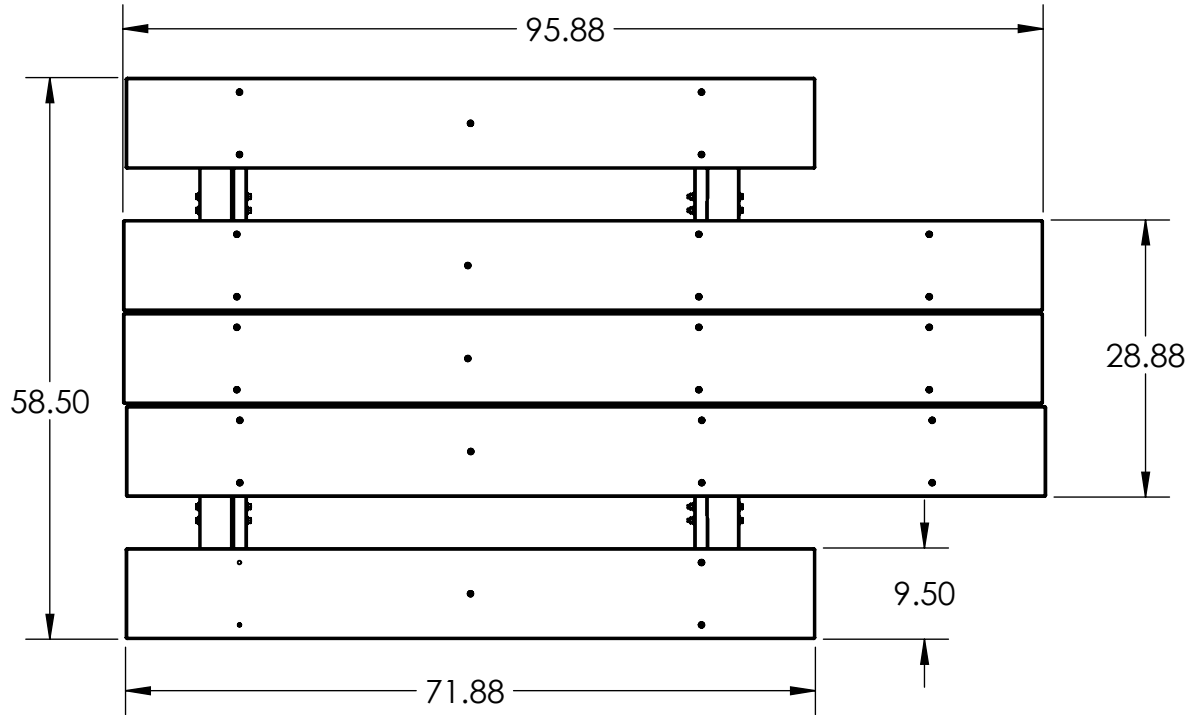
**ATTACH TABLE  
SEAT**

**15/16**



# ADA PICNIC TABLE SPECIFICATIONS TB-1110

TB1110 REV# 2  
8/8/2018



**CONSTRUCTION MATERIALS:**  
RECYCLED PLASTIC LUMBER  
**HARDWARE:**  
STAINLESS STEEL

